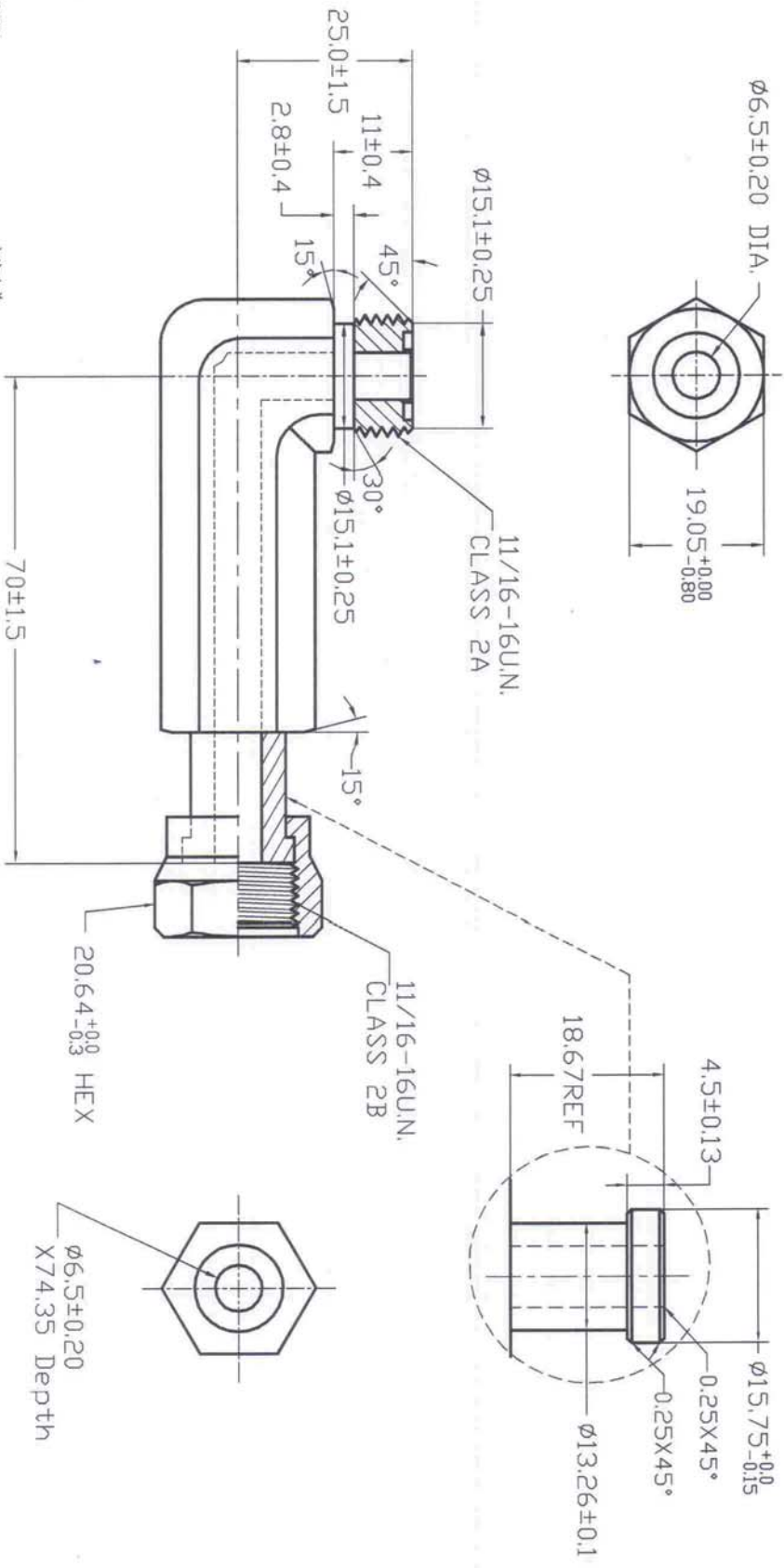


REV	DATE	REVISION DETAILS	APPD
更改号	日期	更改内容	审核并批准



UNLESS SPECIFIED
 ALL DIMENSIONS IN mm
 MACHINED SURFACES Ra=3.2um
 ANGLE TOLERANCES ±1°
 DECIMAL TOLERANCES:
 .x: ±0.5
 .xx: ±0.25
 .xxx: ±0.127

未注公差
 图示尺寸单位为mm
 表面粗糙度Ra=3.2um
 角度公差±1°
 小数部分公差:

.x: ±0.5
 .xx: ±0.25
 .xxx: ±0.127

MATERIAL	Chinese steel 45
FINISH	Remove all sharp edges, burrs, slivers and swarf, break all edges 0.127-0.254mm. 去除所有毛刺, 铁屑等残屑物, 锐边倒钝0.127-0.254mm. ZINC PLATED WITH TRIVALENT CHROMATE AND NO RED CORROSION IN 96 HOURS SALT SPRAY TEST. 镀三价铬锌, 银白色, 96小时盐雾试验无红斑.

HANGZHOU HI-TECH INDUSTRY IMP. & EXP. CORP.	
PART No 零件名	40945-6FS-6FSSW
SCALE: NTS	APPD: Zhangjian 批准: Zhangjian 日期: 2011/10/13
DATE: 日期	DRN: Tanghailin 制图: Tanghailin 2013.10.03
CHK: Lijunbiao 审核: 2013.10.03	